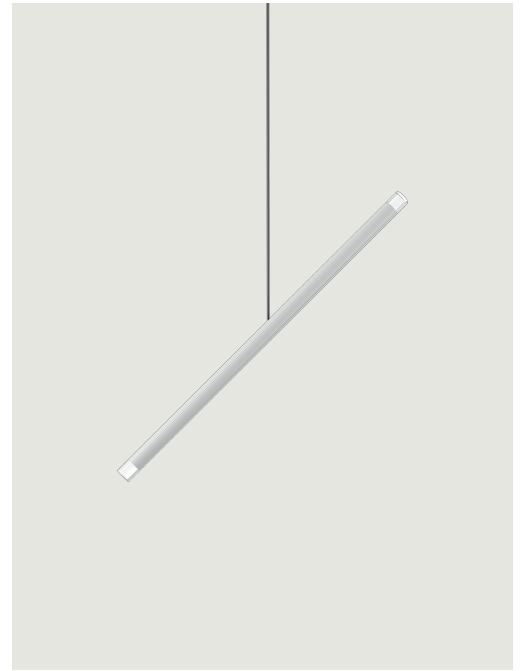


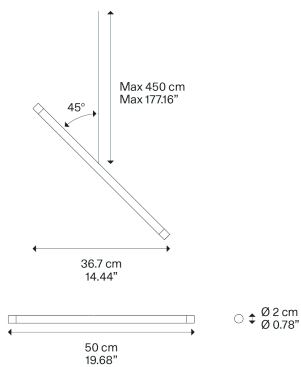
## A-Tube Nano Duo, Design by Studio Italia Design

### Model A-Tube Nano Duo

Precious pins suspended from a thin cable, like magic lights floating in the space. A-Tube Nano Duo is an offshoot of A-Tube Nano with an LED light source on both ends of its thin metal body. A lightweight and linear lamp available in six finishes, which allows to create evocative and playful cluster compositions.



#### A-Tube Nano Duo



#### Light source


LED  
2700 K  
2 x 1 W / 300 lm  
350 mA  
CRI 90  
MacAdam 3-Step

LED and driver included

#### Structure: Metal

 Matte White – 9010

 Matte Black – 9005

 Chrome

 Rose Gold

 Gold

 Matte Champagne

#### Diffuser: Methacrylate

 Clear

 Clear

 Clear

 Clear

 Clear

 Clear

#### Code

158031

158032

158033

158034

158035


158057

Net weight: 0.21 kg

Parcels: 1



IP40

Energy Saving 

Dim Triac 



Cluster suspension lamps must be installed on a *canopy*: find out more on [lodes.com/en/canopies](https://lodes.com/en/canopies)

## A-Tube Nano Duo

## Polar diagram

LED  
2700 K  
2 × 1 W / 300 lm  
350 mA  
CRI 90  
MacAdam 3-Step

